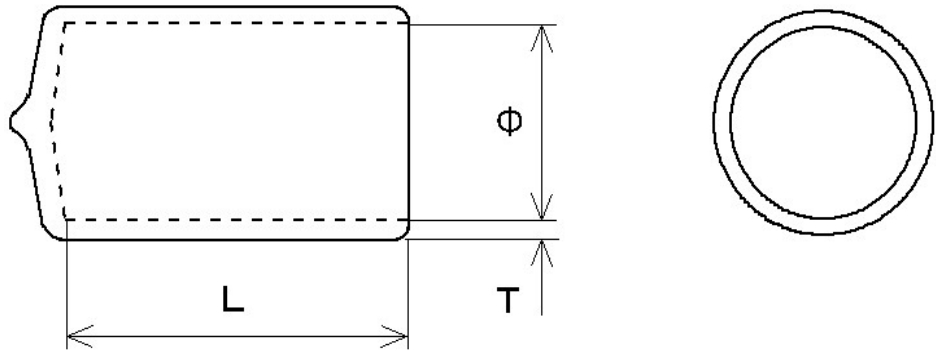


■ 端末キャップ

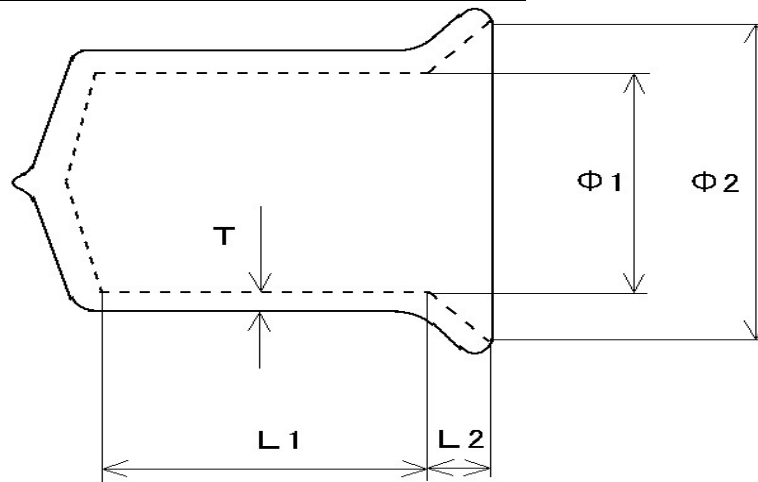


品番	φ	L	T	品番	φ	L	T	品番	φ	L	T
VCS-1.5	1.5	10	1.0	VCS-16.0	16.0	30	1.5	VCS-56.0	56.0	80	2.0
1.7	1.7	10	1.0	17.0	17.0	30	1.5	58.0	58.0	80	2.0
2.0	2.0	10	1.0	17.5	17.5	30	1.5	59.0	59.0	80	2.0
2.3	2.3	10	1.0	18.0	18.0	30	1.5	60.0	60.0	80	2.0
2.8	2.8	10	1.0	19.0	19.0	30	1.5	62.0	62.0	90	2.0
3.0	3.0	10	1.0	19.2	19.2	30	1.5	65.0	65.0	90	2.0
3.2	3.2	10	1.0	19.5	19.5	30	1.5	68.0	68.0	90	2.0
3.5	3.5	10	1.0	20.0	20.0	30	1.5	70.0	70.0	100	2.0
3.8	3.8	10	1.0	21.0	21.0	40	1.5	73.0	73.0	100	2.0
4.0	4.0	10	1.0	22.0	22.0	40	1.5	75.0	75.0	100	2.0
4.2	4.2	10	1.0	23.0	23.0	40	1.5	76.0	76.0	100	2.0
4.5	4.5	10	1.0	23.5	23.5	40	1.5	80.0	80.0	100	3.0
4.8	4.8	10	1.0	24.0	24.0	40	1.5	84.0	84.0	100	3.0
5.0	5.0	15	1.0	25.0	25.0	40	1.5	85.0	85.0	100	3.0
5.5	5.5	15	1.0	26.0	26.0	40	1.5	88.0	88.0	100	3.0
6.0	6.0	15	1.0	27.0	27.0	40	1.5	89.0	89.0	100	3.0
6.5	6.5	15	1.0	28.0	28.0	40	1.5	90.0	90.0	100	3.0
7.0	7.0	15	1.0	29.5	29.5	40	1.5	92.0	92.0	100	3.0
7.5	7.5	15	1.0	30.0	30.0	50	1.5	95.0	95.0	100	3.0
8.0	8.0	15	1.0	31.0	31.0	50	1.5	100.0	100.0	100	3.0
8.5	8.5	15	1.0	32.0	32.0	50	1.5	106.0	106.0	100	3.0
9.0	9.0	15	1.0	34.0	34.0	50	1.5	110.0	110.0	100	3.0
9.5	9.5	15	1.0	35.0	35.0	50	1.5	116.0	116.0	100	3.0
10.0	10.0	20	1.0	36.0	36.0	50	1.5	120.0	120.0	100	3.0
10.5	10.5	20	1.0	37.0	37.0	50	1.5	125.0	125.0	100	3.0
11.0	11.0	20	1.0	38.0	38.0	60	1.8	125.5	125.5	30	3.0
11.5	11.5	20	1.0	40.0	40.0	60	1.8	126.0	126.0	30	3.0
12.0	12.0	20	1.0	42.0	42.0	60	1.8	130.0	130.0	100	3.0
12.5	12.5	20	1.0	44.0	44.0	60	1.8	140.0	140.0	100	3.0
13.0	13.0	30	1.5	45.0	45.0	70	1.8	150.0	150.0	100	3.0
13.5	13.5	30	1.5	46.0	46.0	70	2.0	152.5	152.5	30	3.0
13.8	13.8	30	1.5	47.0	47.0	70	2.0	155.0	155.0	100	3.0
14.0	14.0	30	1.5	48.0	48.0	70	2.0	160.0	160.0	100	3.0
14.6	14.6	30	1.5	50.0	50.0	70	2.0	165.0	165.0	100	3.0
15.0	15.0	30	1.5	53.0	53.0	80	2.0	170.0	170.0	100	3.0
15.5	15.5	30	1.5	55.0	55.0	80	2.0	185.0	185.0	100	3.0

※ L (深さ)、T (肉厚) はユーザー希望寸法

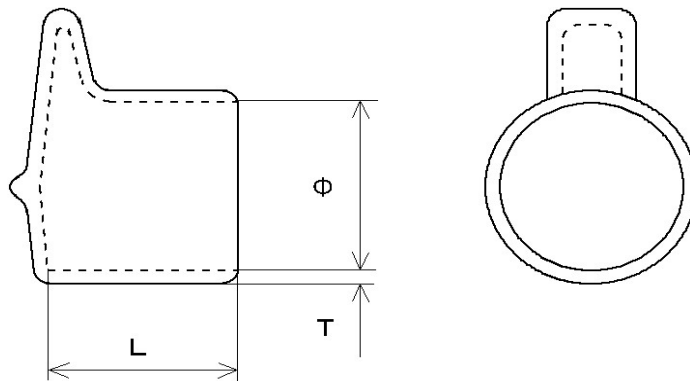
※ 色は各種、電線のサイズ別分類にもご使用いただけます。

・ ネジ山保護キャップ(内ネジ用)



品番	$\phi 1$	$\phi 2$	L1	L2	T	品番	$\phi 1$	$\phi 2$	L1	L2	T
DCA-030-0	3.0	8	8	2	1	DCA-125-0	12.5	25	12	2.5	1.2
040-1	4.0	20	5	2.5	1	130-1	13.0	21	13.5	2.5	1.2
040-2	4.0	20	10	2	1	130-2	13.0	20	11	2.5	1.2
050-0	5.0	14	9	2	1	130-3	13.0	28	10	3	1.2
050-1	5.0	14.5	4	1	1	135-0	13.5	19	7	1.5	1.2
055-1	5.5	13	8	2	1	140-1	14.0	27	12	2.5	1.2
055-2	5.5	16	5	2	1	140-2	14.0	18	14	4	1.2
060-0	6.0	20	10	2.5	1	145-0	14.5	25	16	4.5	1.2
065-1	6.5	12	7.5	2.5	1	150-0	15.0	23	15	3	1.5
070-1	7.0	16	10	2	1	160-0	16.0	29	11	3	1.5
070-2	7.0	14	7.5	2.5	1	165-1	16.5	25	15	3	1.5
070-3	7.0	16	5	2	1	165-2	16.5	28	9	2.5	1.5
075-1	7.5	16	10	2.5	1	170-0	17.0	23	15	5	1.5
075-2	7.5	13	6.5	2	1	178-0	17.8	26	9.5	2.5	1.5
080-0	8.0	11	7.5	2	1	180-0	18.0	32	12.5	2.5	1.5
083-0	8.3	14	6.5	1.5	1	185-0	18.5	27	18	2.5	1.5
085-0	8.5	19	9	2.5	1	195-0	19.5	29	9	4.5	1.5
086-0	8.6	18	11	2.5	1	200-0	20.0	36	12	3	1.5
090-0	9.0	17	8	3	1	205-0	20.5	29	18	2.5	1.5
090-1	9.0	18	5	2	1	213-0	21.3	29	13.5	2.5	1.5
095-1	9.5	15.5	12	1.5	1	215-0	21.5	30	10	2.5	1.5
095-2	9.5	16	9	2.5	1	215-1	21.5	38	10	3.5	1.5
095-3	9.5	12.5	9	2	1	220-0	22.0	28	18.5	5.5	1.5
095-4	9.5	22	9	2.5	1	225-0	22.5	31	22	3	1.5
100-1	10.0	22	12	2.5	1.2	230-0	23.0	36	16.5	3	1.5
100-2	10.0	19	10	2.5	1.2	245-0	24.5	32	24	3	1.5
100-3	10.0	30	10	3	1.2	260-0	26.0	32	22	6	1.5
105-1	10.5	19	9.5	2	1.2	260-1	26.0	32	22	6	1.5
105-2	10.5	17	7.5	3	1.2	270-0	27.0	31	10	4	1.5
105-3	10.5	19.5	8	2	1.2	270-1	27.0	31	10	4	1.5
110-1	11.0	14	9.5	2.5	1.2	278-0	27.8	50	15.5	3	1.5
110-2	11.0	15.5	8.5	1.5	1.2	280-0	28.0	43	16.5	3	1.5
110-3	11.0	23	12	2.5	1.2	310-0	31.0	43	25	3	1.5
115-1	11.0	19.5	11.5	2.5	1.2	375-0	37.5	52	23	2.5	1.5
115-2	11.0	26	9	2.5	1.2	400-0	40.0	50	24	3	1.5
116-0	11.0	17	6.5	2	1.2						
120-0	12.0	20	11	2.5	1.2						
120-1	12.0	25	16	4	1.2						

・ ネジ山保護キャップ(外ネジ用)



品番	φ	L	T	品番	φ	L	T
DCB 040	4.0	10	1.0	DCB 151	15.0	15	1.3
050	5.0	10	1.0	165	16.5	15	1.3
060	6.0	10	1.0	180	18.0	15	1.3
065	6.5	10	1.0	198	19.8	15	1.3
072	7.2	10	1.0	205	20.5	20	1.5
075	7.5	10	1.0	214	21.4	20	1.5
090	9.0	10	1.0	245	24.5	20	1.5
095	9.5	10	1.0	254	25.4	20	1.5
100	10.0	10	1.0	262	26.2	20	1.5
110	11.0	15	1.3	285	28.5	20	1.5
125	12.5	15	1.3	297	29.7	20	1.5
135	13.5	15	1.3	350	35.0	20	1.5
145	14.5	15	1.3				

※ L (長さ) T (肉厚) はユーザー希望寸法